

LA - IP56 Stainless Steel Motors



“Wash-down Protection”

1.15 Service Factor (SF) • Available in IEC 63 to 80 frame sizes in 2, 4 and 6 poles • 230/460V or 333/575V 60 Hz
 All stainless Steel Construction • IP56 wash down • Class F insulation • Drain holes at 90° positions • Etched nameplate
 Available in B3, B14 and B5 mounting • TENV • CSA safety approvals • Turn Down Ratio 4:1 CT 10:1 VT



See page 58 for connection diagrams

2 POLE - 3600 RPM

Part Number	Enclosure	HP	Full Load Amps		Speed Min ⁻¹	Weight (lbs)	List Price \$
			460 V	575 V			
LA63S2	TENV	0.33	0.53	0.43	3455	18	740.00
LA71C2	TENV	0.50	0.75	0.60	3515	26	842.00
LA71S2	TENV	0.75	1.05	0.84	3500	31	878.00

4 POLE - 1800 RPM

Part Number	Enclosure	HP	Full Load Amps		Speed Min ⁻¹	Weight (lbs)	List Price \$
			460 V	575 V			
LA63S4	TENV	0.25	0.53	0.43	1740	18	732.00
LA71C4	TENV	0.33	0.58	0.47	1750	19	846.00
LA71S4	TENV	0.50	0.75	0.60	1745	24	880.00
LA80C4	TENV	0.75	1.10	0.88	1765	39	1,061.00

6 POLE - 1200 RPM

Part Number	Enclosure	HP	Full Load Amps		Speed Min ⁻¹	Weight (lbs)	List Price \$
			460 V	575 V			
LA71C6	TENV	0.25	0.66	0.53	1145	23	989.00
LA71S6	TENV	0.33	0.78	0.62	1145	25	1,030.00
LA80C6	TENV	0.50	0.88	0.70	1150	40	1,218.00
LA80S6	TENV	0.75	1.20	0.95	1150	45	1,377.00

FLS B5 Flanges

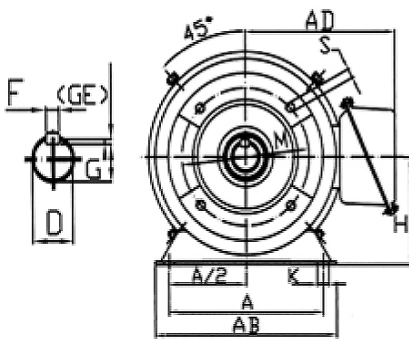
Part Number	List Price \$
FLS 63B5	127.00
FLS 71B5	218.00
FLS 80B5	232.00

FLS B14 Flanges

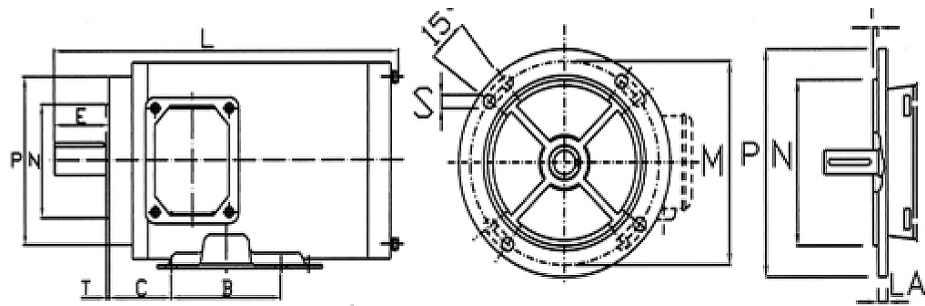
Part Number	List Price \$
FLS 63B14	123.00
FLS 71B14	204.00
FLS 80B14	230.00

NOTE: Lowest drain plug must be removed to allow proper drainage

IM B3 & IM B34 - C Flange



IM B5 - D Flange



(Totally Enclosed Non-Ventilated)

Perfect for the food processing and pharmaceutical industries • 300 series stainless steel construction on all exterior parts • Double gaskets in conduit box • Paint free housing • Laser etched nameplate on frame body • Wash down protected • Sanitary • Durable • All IEC Frames

All dimensions in mm

Motor Type	B14 FLANGE													B5 FLANGE										
	A	A/2	B	C	D	E	F	G	H	K	AB	AC	AD	L	M	N	P	S	T	M	N	P	S	T
LA 63	100	55.0	80	40	11	23	4	8.5	63	7	125	114	112	241	75	60	90	M5	2.5	115	95	140	10	3.0
LA 71	112	56.0	90	45	14	30	5	11.0	71	7	140	134	122	278	85	70	105	M6	2.5	130	110	160	10	3.5
LA 80	125	62.5	100	50	19	40	6	15.5	80	10	150	144	127	322	100	80	120	M6	3.0	165	130	200	12	3.5

of holes = 4